

PRORIL

50Hz

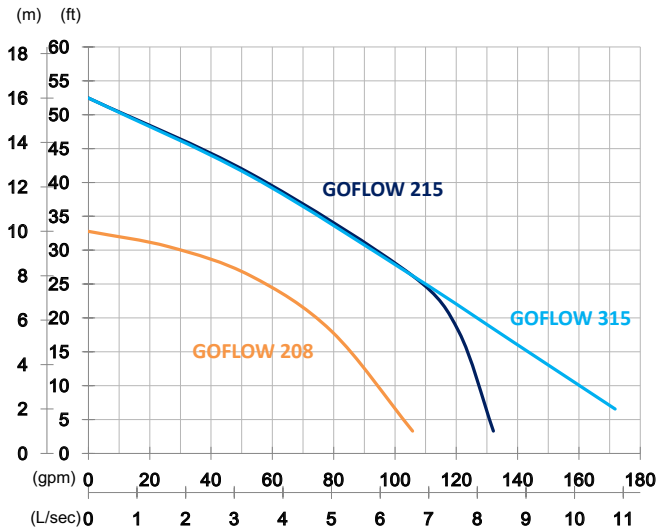
GOFLOW Series, these non-clog pumps can handle solids up to 37 mm in diameter without clogging. These pumps are equipped with a semi-open channel impeller, a wide channel for the pump to pass solids from inflow to discharge with minimal blockage.

Sewage Pump

GOFLOW 208/215/315

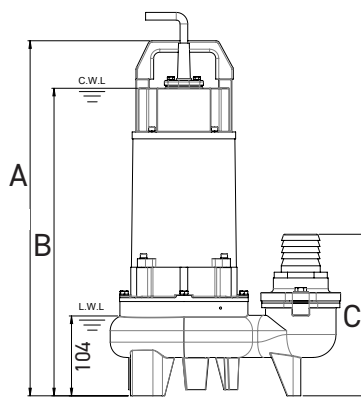
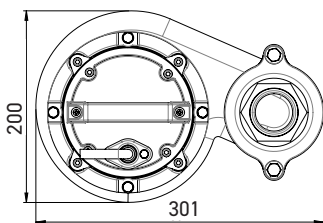
Non-clog Pump





	GOFLOW 208	GOFLOW 215	GOFLOW 315
OUTPUT	0.75 kW (1 HP)	1.5 kW (2HP)	1.5 kW (2HP)
OUTLET	2" (50 mm)	2" (50 mm)	3" (80 mm)
SOLID PASSAGE	26 mm	25 mm	25 mm
Weight	22 kg	27 kg	27 kg
HEAD	Rated: 8 m Max: 10 m	Rated: 8 m Max: 16 m	Rated: 8 m Max: 16 m
FLOW	Rated: 3.3 L/s Max: 6.7 L/s	Rated: 6.7 L/s Max: 8.3 L/s	Rated: 6.7 L/s Max: 10.8 L/s

Pump Type	Electric Submersible Pumps	
Motor	Phase	1-Phase, 3-Phase
	Type	Induction Motor
	Poles	2 Pole (2850 rpm)
	Insulation	Class F
	Protector	Circle Thermal Protector
	Starter	1-Phase · Capacitor-Run, 3-Phase · D.O.L.
Lubricant	Food Grade (ISO VG32)	
Specs.	Impeller Type	Semi-Open Channel Cutter
	Shaft Seal	Double Mechanical Seal
		Silicon Carbide VS Ceramic/Carbon
	Bearings	C3 Shielded ball bearings
Cable	H07RN-F	
	10 m or longer upon request	
Materials	Pump Casing	Gray Iron
	Impeller	Gray Iron
	Motor Frame	Gray Iron
	Motor Shaft	Stainless Steel
Max. Liquid Temperature	40°C (104°F)	
Max. Submersion Depth	20 m (66 ft)	
pH Range	pH 5 - pH 8	
Guide Rail	GRL-02F (208 215)/GRL-03F (315)	



unit : mm

C.W.L : Continuous running water level
L.W.L : Lowest running water level

	A	B	C
GOFLOW 208	434	372	211
GOFLOW 215	463	401	211
GOFLOW 315	463	401	246